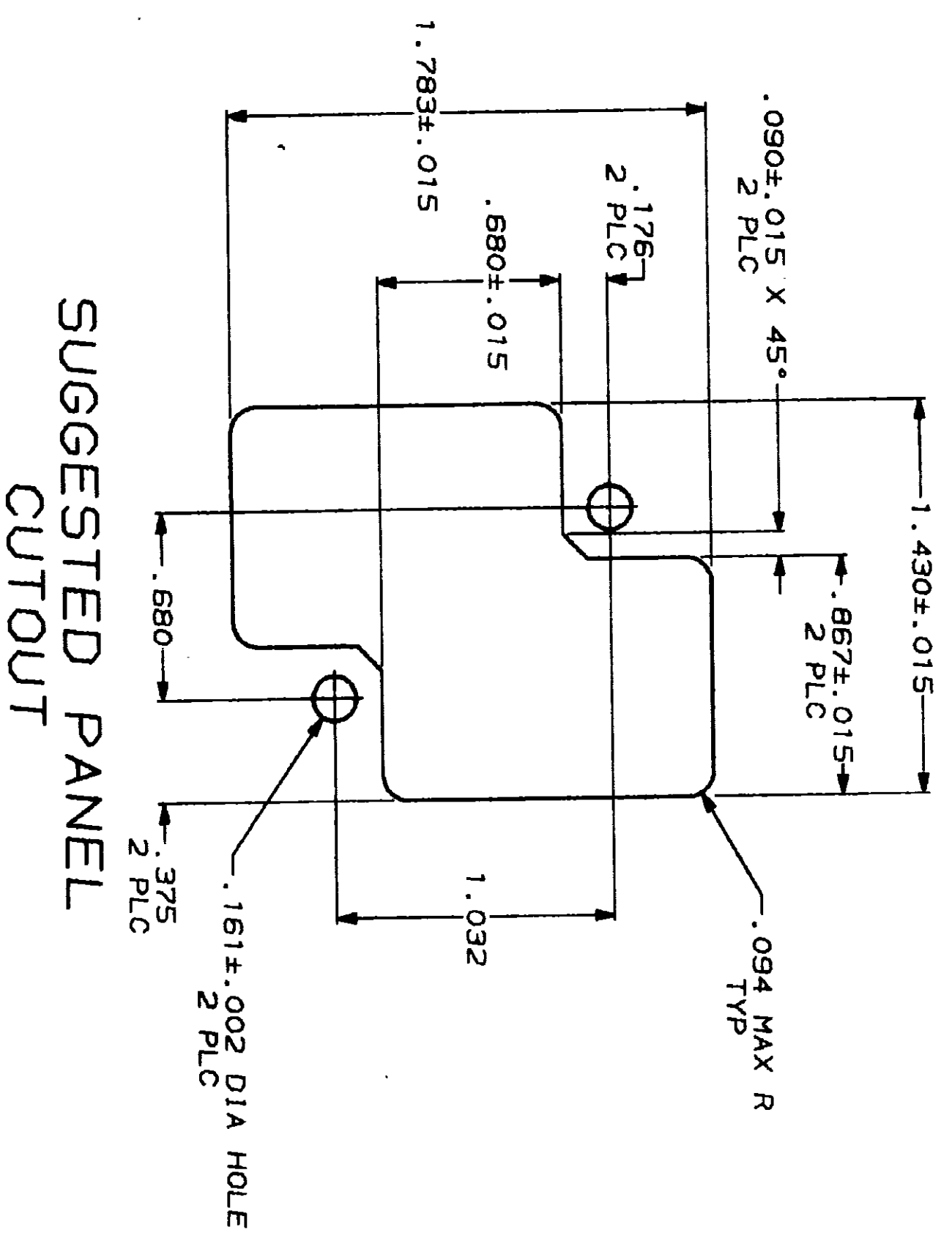
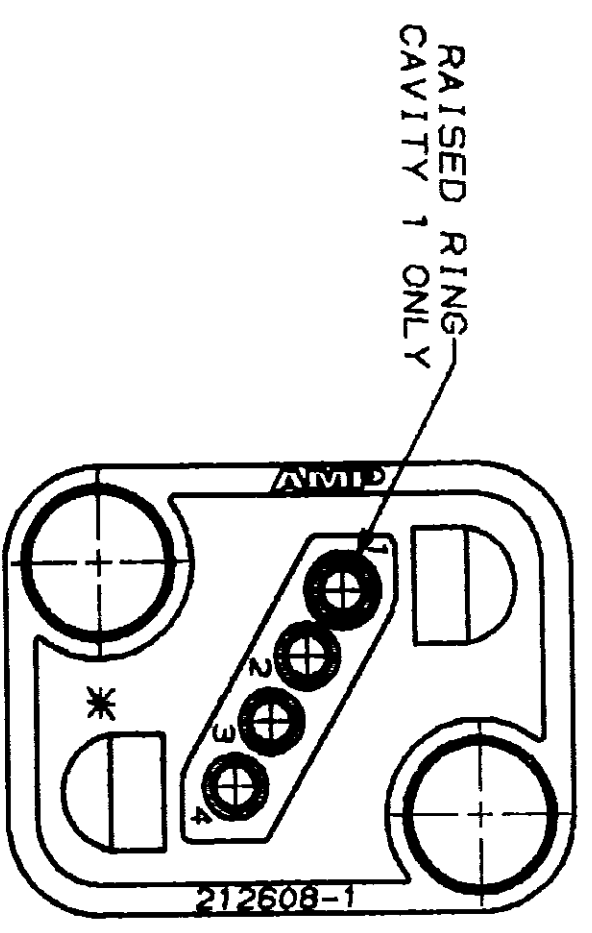
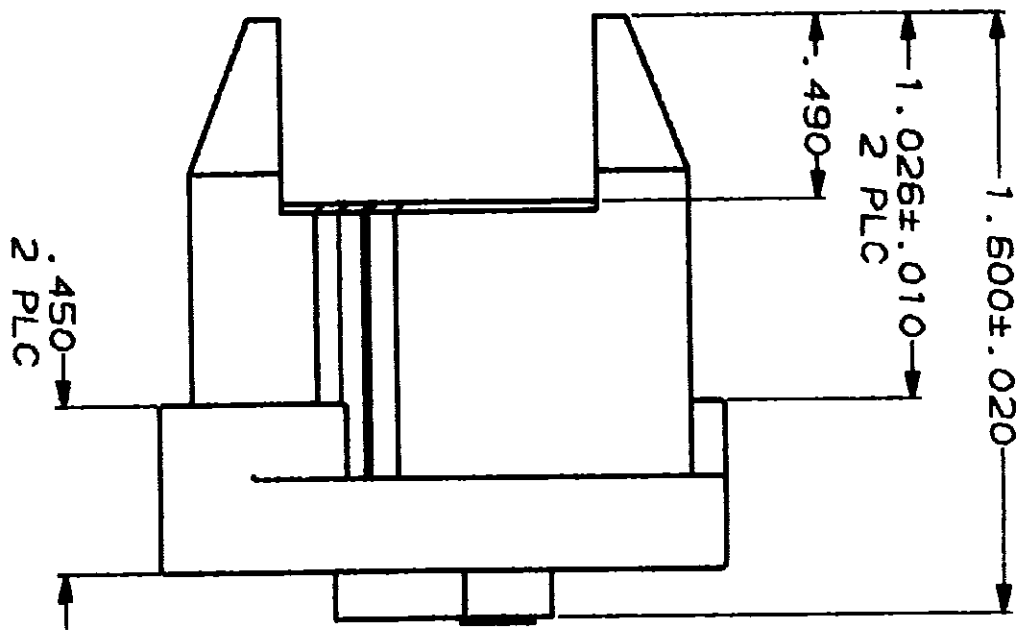
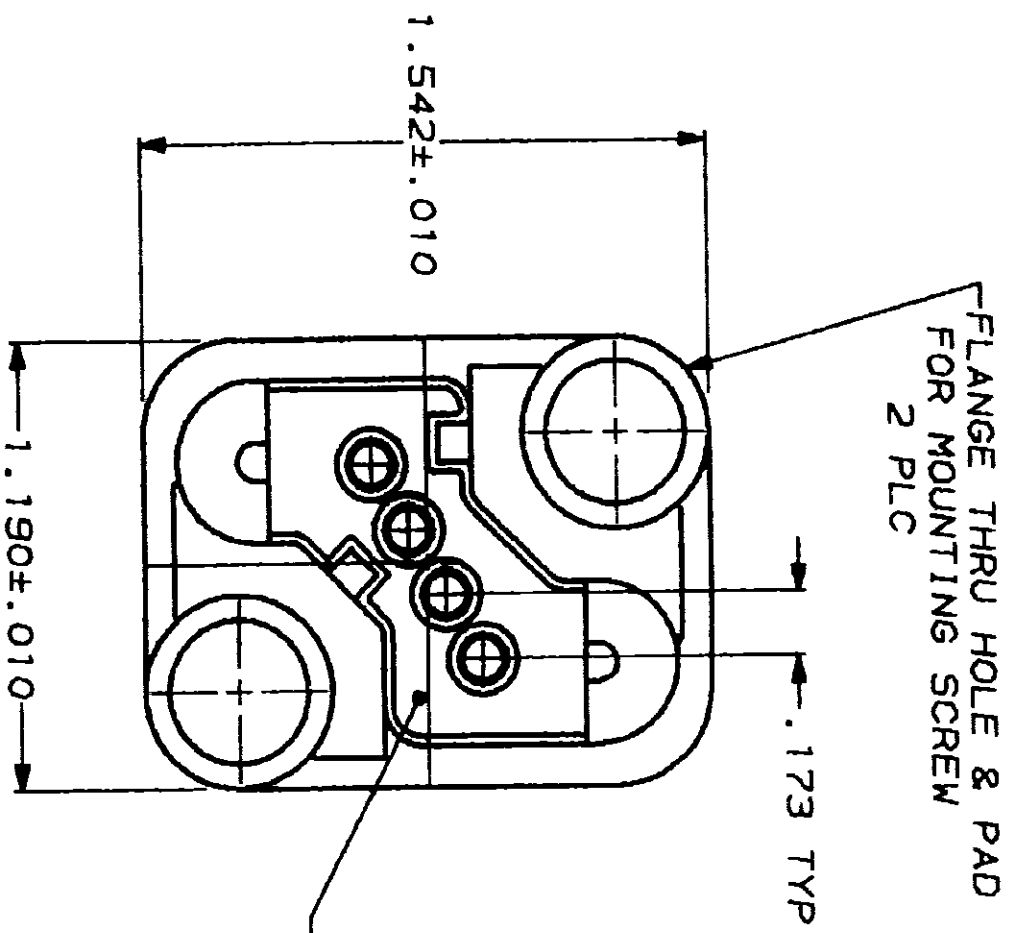


DRAWING MADE IN THIRD ANGLE PROJECTION
 THIS DRAWING IS UNPUBLISHED. RELEASED FOR PUBLICATION
 BY AMP INCORPORATED. ALL INTERNATIONAL RIGHTS RESERVED.
 © COPYRIGHT 1981

REV	BY	DATE	DESCRIPTION
1	BD	39	REDRAWN AND REV ECN BD5024



1. THIS CONNECTOR MATES WITH PIN HOUSING NUMBER 212609.
2. FOR MOUNTING SCREW INFORMATION SEE DRAWING NUMBER 208211.

DO NOT SCALE PRINT. UNLESS SPECIFIED DIMENSIONS IN INCHES TOLERANCES ON: 2 PLC DEC ± .005 3 PLC DEC ± .005 ANGLES MATERIAL THERMOPLASTIC BLACK		DR 05/07/91 R. SHINEY CHK - R. Shiney 5-13-91 APPD A. LEAVY 5/14/91 PRODUCT SPEC APPLICATION SPEC WEIGHT	NAME AMP AMP Incorporated Harrisburg, PA 17105-3608
FINISH	SCALE 2:1	SIZE CAGE CODE 00779	DRAWING NO 212608
SUGGESTED PANEL CUTOUT		PLUG HOUSING, DRAWER CONNECTOR, 4 POSITION, METRIMATE	

212608-1
PART NO

CUSTOMER DRAWING